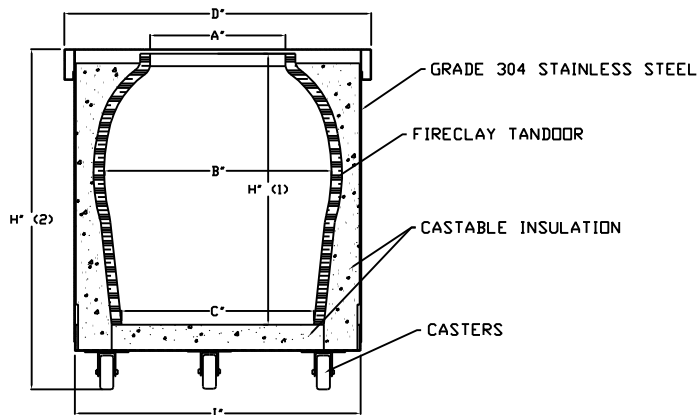
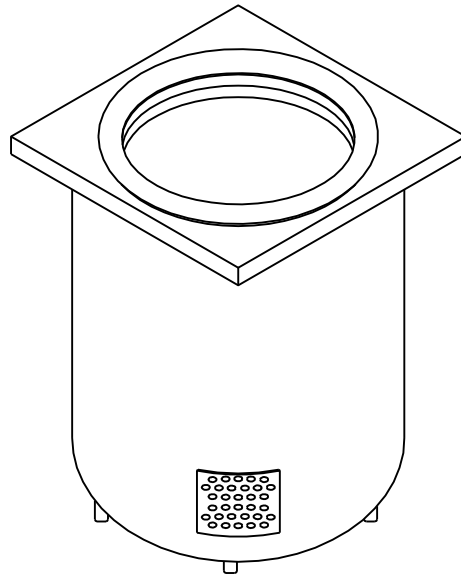


TANDOORS BY SUPERIOR CLAY CORPORATION

6566 SUPERIOR ROAD SE
 UHRICHSVILLE, OH 44683
 PHONE: 800-848-6166
 WWW.SUPERIORCLAY.COM



SIZE	DIM 'A'	DIM 'B'	DIM 'C'	DIM 'D'	DIM 'H (1)'	DIM 'H (2)'	DIM 'L'	WT. (#s)
STANDARD	13"	23"	22"	30 1/4"	28"	37 1/4"	29"	600 #
JUMBO	15 1/2"	27"	26"	36 1/4"	28"	37 1/4"	35"	850 #

PLEASE BE ADVISED THAT THE TANDOOR IS MADE FROM FIRECLAY, WHICH IS A NATURAL MATERIAL, SO VARIATIONS TO SIZE, COLOR AND OVERALL APPEARANCE MAY OCCUR. MICROFRACTURES MAY BE SEEN IN THE TANDOOR BODY WHICH IS A NORMAL CHARACTERISTIC OF CLAY PRODUCTS. THESE NATURAL CHARACTERISTICS WILL NOT AFFECT THE PERFORMANCE OF THE TANDOOR.



GAS BURNERS*

SIZE	BURNER TYPE	MODEL	DIA.	HT.	LENGTH	WT. (#s)	BTU's	GAS
STANDARD	2 - RING	112	7.75"	2.25"	16.5"	8#	85,000	NG/LPG
JUMBO	2 - RING	112	7.75"	2.25"	16.5"	8#	85,000	NG/LPG

MFG. BY CHARLES A. HONES, INC. USING CLASS 30 GREY CAST IRON. OPERATES AT LOW PRESSURE. CONVERTS FROM NATURAL GAS TO PROPANE GAS BY SIMPLY CHANGING THE DRIFICE. NATURAL GAS INLET IS 1" FEMALE THREADED LINE THAT MAY BE REDUCED TO 1/2" INLET WITH PROPER BUSHING. OPTIONAL PILOT LIGHT AND STANDARD SAFETY SHUT-OFF VALVE ARE AVAILABLE UPON REQUEST

VENTING: THIS PRODUCT NEEDS TO BE INSTALLED IN ACCORDANCE WITH ALL APPLICABLE CODES.