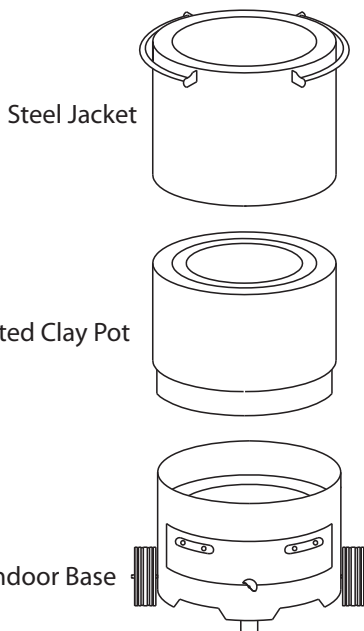


# Assembly Instructions



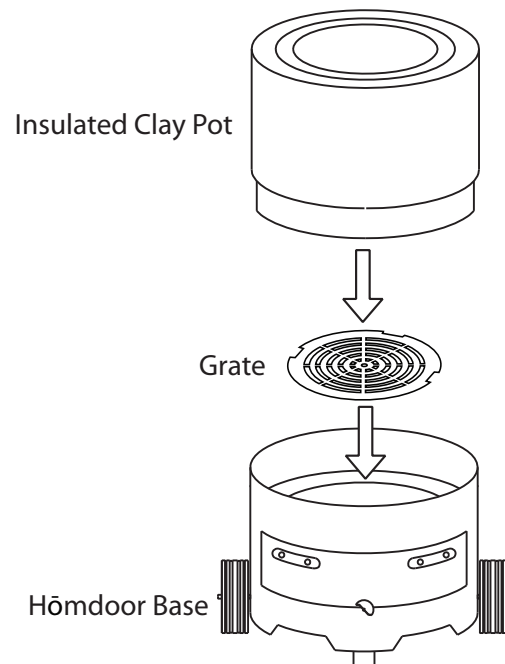
## Step 1

Carefully remove all components from packing and separate. Take inventory (refer to owner's manual) to verify that all components ordered are accounted for. You are now ready to assemble.



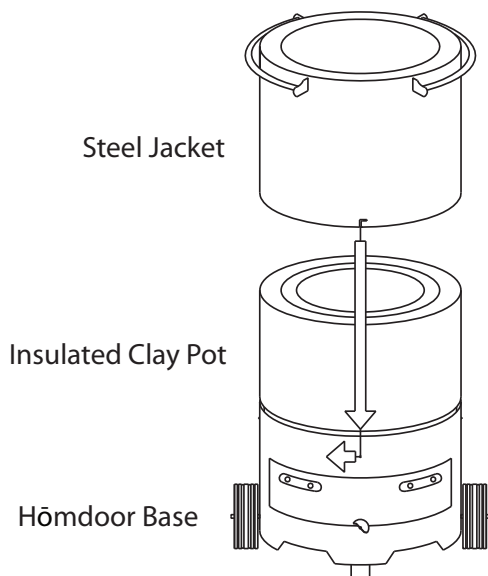
## Step 2

First lower the grate down into the base until it rests on the tabs. Then carefully lower the insulated clay pot onto the Hömdoor base.



## Step 3

Once insulated clay pot is set in place, carefully slide steel jacket over insulated clay pot, precisely aligning the four slots in the jacket with the four pins in the Hömdoor base. With jacket in place, carefully give it a turn to lock it.



## Step 4 - FOR PROPANE AND GAS ONLY

Remove drawer entirely from base. Locate the bolt attached to the bottom of the drawer. Unscrew the top nut. Position the connection point of the burner over the bolt. Hand tighten nut so that the burner is held in place.

